



SPIDI[®] max

· **SYSTEM OVERVIEW** ·

- VISIBLE FIXING
 - CONCEALED FIXING
 - SUSPENDED CEILING
 - PHOTOVOLTAICS
-

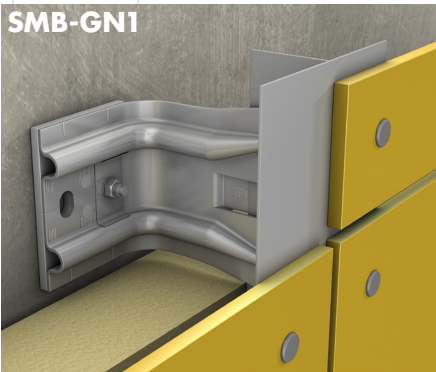
SPIDI® max

SYSTEM OVERVIEW

The patented SPIDI® wall brackets are manufactured from high-strength aluminium, stainless steel, and steel with maximum corrosion protection with wall-to-panel distances between 65 and ~900mm. They have a pre-mounted Thermostop and can be installed as either fixed or sliding points, both vertically and horizontally.

VISIBLE FIXING

SMB-GN1

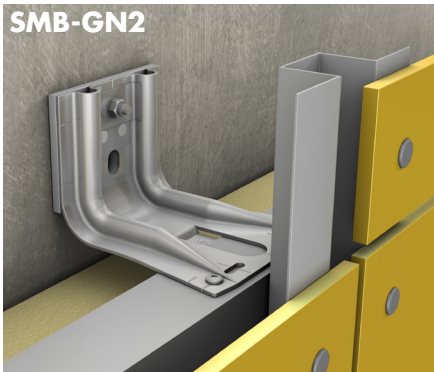


RIVETED 1-layer substructure

FACADE CLADDING:

Fiber cement, glass fiber concrete, HPL panels, metal composite panels, render backing boards, solid aluminium & solid steel panels

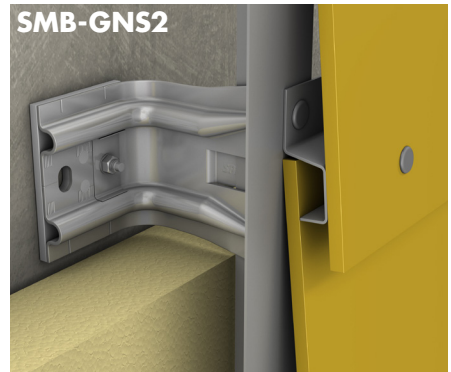
SMB-GN2



RIVETED 2-layer substructure & wind barrier membrane

FACADE CLADDING: Fiber cement, glass fiber concrete, HPL panels, metal composite panels, render backing boards, solid aluminium & solid steel panels

SMB-GNS2



RIVETED 2-layer substructure with clapboard cladding

FACADE CLADDING: Fiber cement, glass fiber concrete, HPL panels

SMB-GSH1

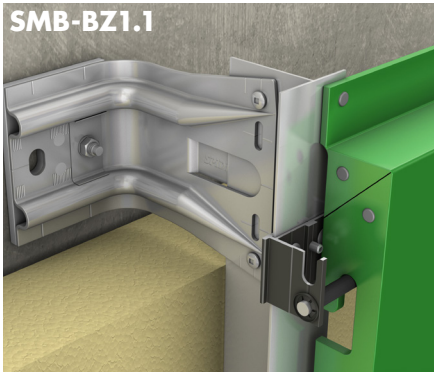


TIMBER BATTEN 2-layer substructure

FACADE CLADDING:

Fiber cement, glass fiber concrete, HPL panels, render backing boards

SMB-BZ1.1

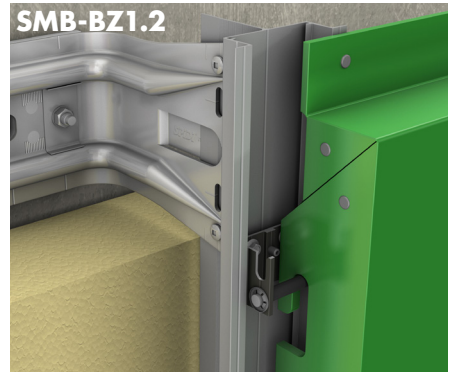


BOLT HANGER 1-layer substructure T-profile

FACADE CLADDING:

Metal composite material, solid aluminium- & steel cassettes

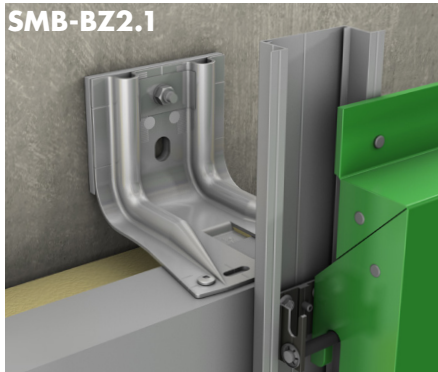
SMB-BZ1.2



BOLT HANGER 1-layer substructure Y-profile

FACADE CLADDING:

Metal composite material, solid aluminium- & steel cassettes



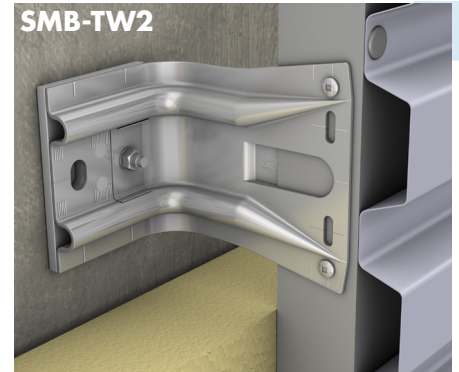
BOLT HANGER
2-layer substructure U-profile

FACADE CLADDING:
Metal composite material, solid aluminium- & steel cassettes



RIVETED/SCREWED
1-layer substructure

FACADE CLADDING:
Trapezoidal steel/aluminium sheeting



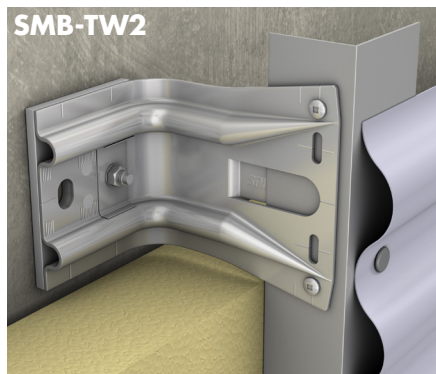
RIVETED/SCREWED
1-layer substructure

FACADE CLADDING:
Trapezoidal steel/aluminium sheeting



RIVETED/SCREWED
1-layer substructure

FACADE CLADDING:
Corrugated steel/aluminium sheeting



RIVETED/SCREWED
1-layer substructure

FACADE CLADDING:
Corrugated steel/aluminium sheeting



CLAMP FIXING
1-layer substructure with stainless steel clamps

FACADE CLADDING:
Ceramic, stoneware



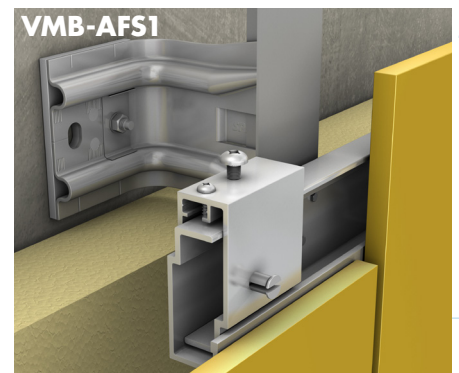
RIVETED/SCREWED
1-layer substructure

FACADE CLADDING:
Aluminium/steel siding



RIVETED/SCREWED
1-layer substructure

FACADE CLADDING:
Aluminium/steel siding

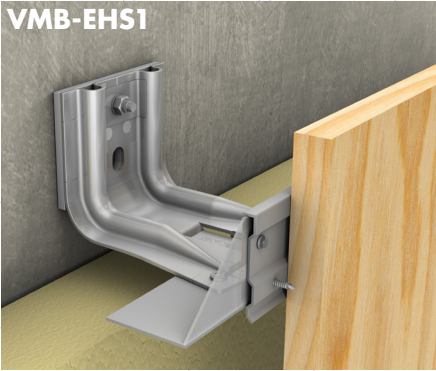


HANGER SYSTEM
2-layer substructure

FACADE CLADDING: Carrier plates, ceramic, fiber cement, glass fiber concrete, HPL panels, laminated glass, natural stone, stoneware

CONCEALED FIXING

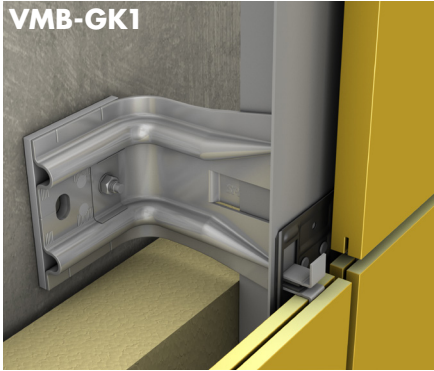
VMB-EHS1



HANGER SYSTEM 1-layer substructure

FACADE CLADDING:
wood-based panels

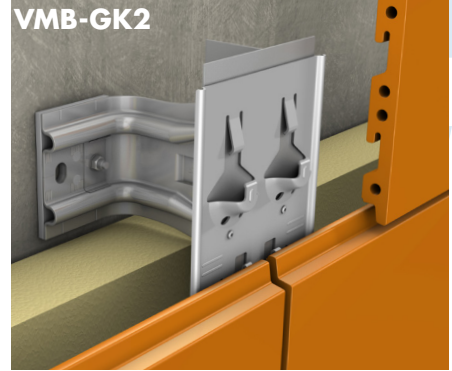
VMB-GK1



STAINLESS STEEL CLAMPS 1-layer substructure

FACADE CLADDING:
Natural stone, stoneware

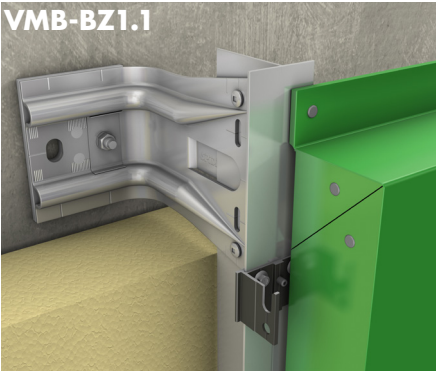
VMB-GK2



SLIP RAIL 1-layer substructure

FACADE CLADDING:
Brick

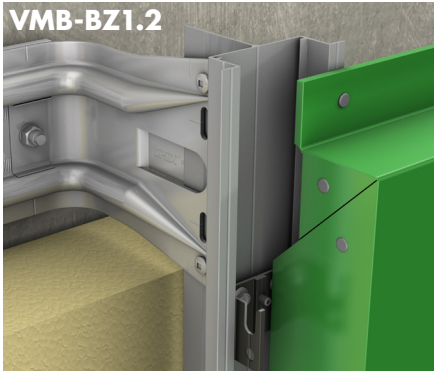
VMB-BZ1.1



BOLT HANGER 1-layer substructure T-profile

FACADE CLADDING:
Metal composite material, solid aluminium- & steel cassettes

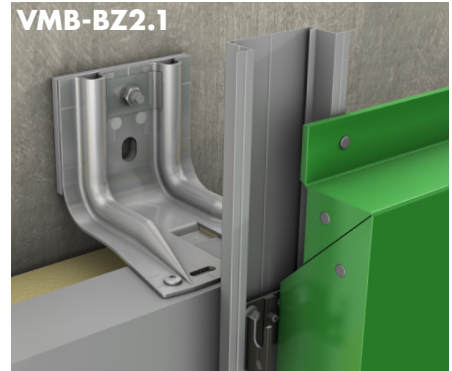
VMB-BZ1.2



BOLT HANGER 1-layer substructure Y-profile

FACADE CLADDING:
Metal composite material, solid aluminium- & steel cassettes

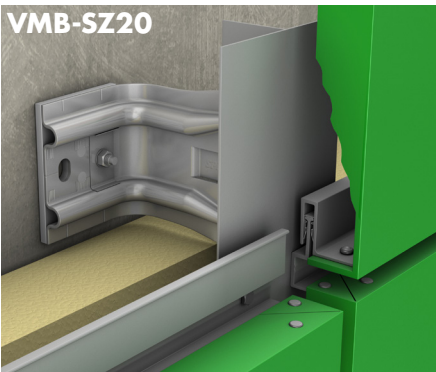
VMB-BZ2.1



BOLT HANGER 2-layer substructure U-profile

FACADE CLADDING:
Metal composite material, solid aluminium- & steel cassettes

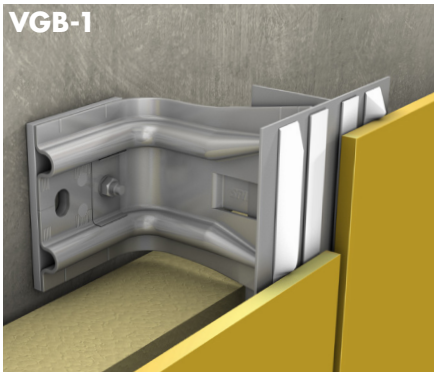
VMB-SZ20



SZ20 SYSTEM 1-layer substructure

FACADE CLADDING:
metal composite panels, solid aluminium & solid steel panels

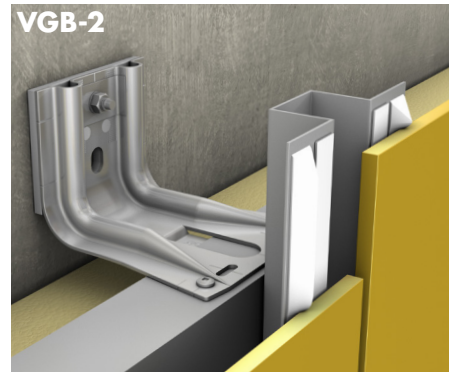
VGB-1



ADHESIVE FIXING 1-layer substructure

FACADE CLADDING: Fiber cement, glass fiber concrete, HPL panels, metal composite panels, ceramic, stoneware

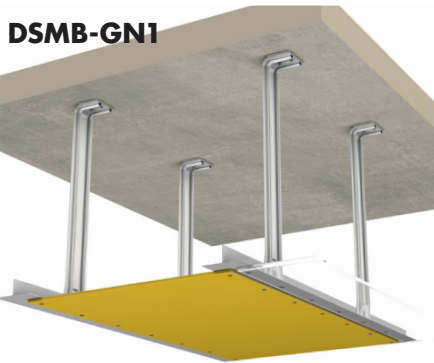
VGB-2



ADHESIVE FIXING 2-layer substructure

FACADE CLADDING: Fiber cement, glass fiber concrete, HPL panels, metal composite panels, ceramic, stoneware

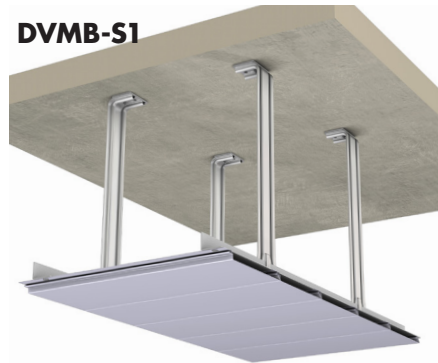
SUSPENDED CEILING



DSMB-GN1

RIVETED 1-layer substructure

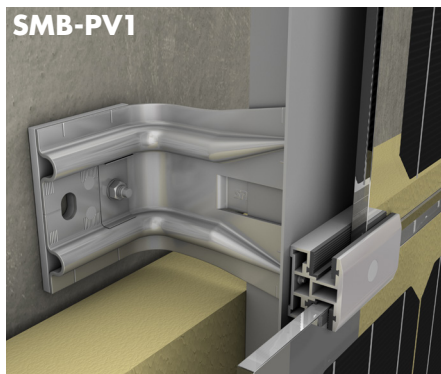
FACADE CLADDING: Fiber cement, glass fiber concrete, HPL panels, metal composite panels, render backing boards, solid aluminium & solid steel panels



DVMB-S1

RIVETED/SCREWED 1-layer substructure

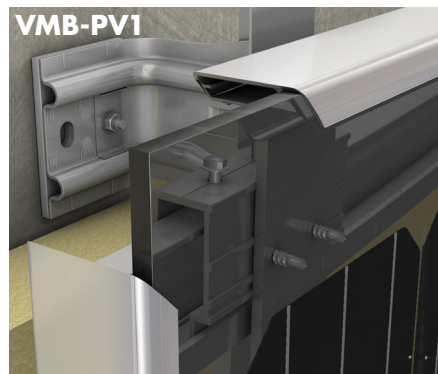
FACADE CLADDING: Aluminium/steel siding



SMB-PV1

CLAMP FIXING 1-layer substructure

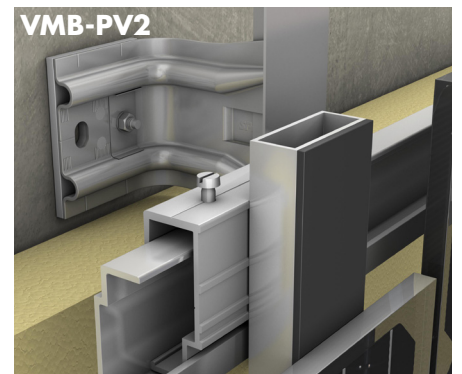
FACADE CLADDING: Photovoltaik panels



VMB-PV1

HANGER SYSTEM 2-layer substructure

FACADE CLADDING: Photovoltaik panels framed



VMB-PV2

HANGER SYSTEM 2-layer substructure

FACADE CLADDING: Photovoltaik panels glass-glass



Your **SPIDI®** consultant and sales partner

SPIDI® is a registered trademark of Slavonia Baubedarf GmbH, Vienna, Austria.
This document does NOT constitute an instruction manual for assembly or installation, but is designed solely for product presentation. This applies in particular to all images and schematic diagrams. They serve exclusively as illustrations and provide no basis for liability, warranty or any other claims. Prior to any installation, our technical staff must be consulted without exception, to ensure that the installation is carried out correctly and professionally. Products are subject to change to adapt to evolving technology. Misprints, errors and omissions excepted. Our Terms and Conditions (available at www.slavonia.com) apply. © Slavonia Baubedarf GmbH